

SRINAR

TNC

S E R I E S



SRINAR COMMUNICATIONS PVT. LTD.

SRINAR COMMUNICATIONS PVT. LTD, called **SRICOM** in short, is located at Chennai in the southern part of India. Situated in a pollution free environment, the facility has about 35,000 square foot built-up area, housing the complete machinery and equipments to manufacture RF connectors to the international standards.

SRICOM has 23 years experience in this line. We specialize in developing custom built RF connectors, cable assemblies and antennas to the specific requirements of the customers. Our products cater to varieties of industries ranging from entertainment, professional, avionics to satellite communications.

SRICOM included antennas to it's product range from the year 2001. Owing to the large requirement of antennas for the rural connectivity, the antenna division was founded and since then various antennas for CorDECT, CDMA, Wi-Fi, WiMAX, RFID and GSM were developed and supplied in large volume.

SRICOM has the state-of-the-art facility for machining, electroplating, assembly and quality assurance. It has a battery of automatic lathes, CNC and CAM operated sliding head stock machines, special purpose milling, drilling and tapping machines etc. our electroplating shop has the capability to do gold, silver, nickel and tin plating.

SRICOM has the expertise and the capability to produce large volume as well as small batch prototypes in quick turnaround time. At the moment our services are available in countries like United States, Israel, Philippines, Singapore, Australia and the local market also. As we are in the process of expansion, our presence will be extended to more countries and in many more value added components. We look forward to your patronage as ever. For any of your requirements please call our market support who will respond immediately or direct you to the right dealer network.



TNC Series 50 ohms/75 ohms connectors are small, weather proof with threaded coupling mechanism, which eliminates shock under vibration. The increased rigidity of the screw Coupling gives the TNC a more consistent performance than the BNC under adverse operating conditions.

The Sricom range of TNC Connectors cover different cable and chassis mounting styles. Sricom TNC Connectors are manufactured to ensure conformity to joint services specifications J 52401 in terms of Electrical performance and mating face requirements. They are fully intermatable with connectors manufactured to meet the US specifications MIL – C 39012.

TNC Connectors are available in both 50 and 75 ohms impedance; TNC series 50 ohms and 75 ohms connectors are intermatable.

MATERIAL

| | |
|------------------------|------------------|
| Body & Body Components | Extruded Brass |
| Centre Contact Male | Extruded Brass |
| Centre Contact Female | Beryllium Copper |
| Dielectric | PTFE |
| Clamp Gaskets | Silicone Rubber |
| Crimp Ferrule | Annealed Copper |

MECHANICAL

| | |
|-----------------|--|
| Mating | 7/8" – 28 UNEF |
| Cable Affixment | Clamp Screw-thread nut and braid clamp |
| Cable Retention | Clamp : 178 N minimum |

TECHNICAL SPECIFICATIONS

ELECTRICAL

| | |
|---------------------------|---|
| Impedance | 50 / 75 ohms |
| Frequency Range | DC – 11 GHz @ 50 Ω DC – 1.5 GHz @ 75 Ω |
| Voltage Rating | 500 V Peak |
| Insulation Resistance | 5000 Meg Ohms (Min) |
| Centre Contact Resistance | 1.5 Milli ohms (Max) |
| Outer Contact | 0.2 Milli ohms |
| Braid to Body | 0.1 Milli ohms |
| Insertion Loss | 0.18 dB maximum at 9 GHz |
| Dielectric Withstanding | 1500 V olts RMS at Sea level |
| VSWR | 1.3:1 Max |

ENVIRONMENTAL

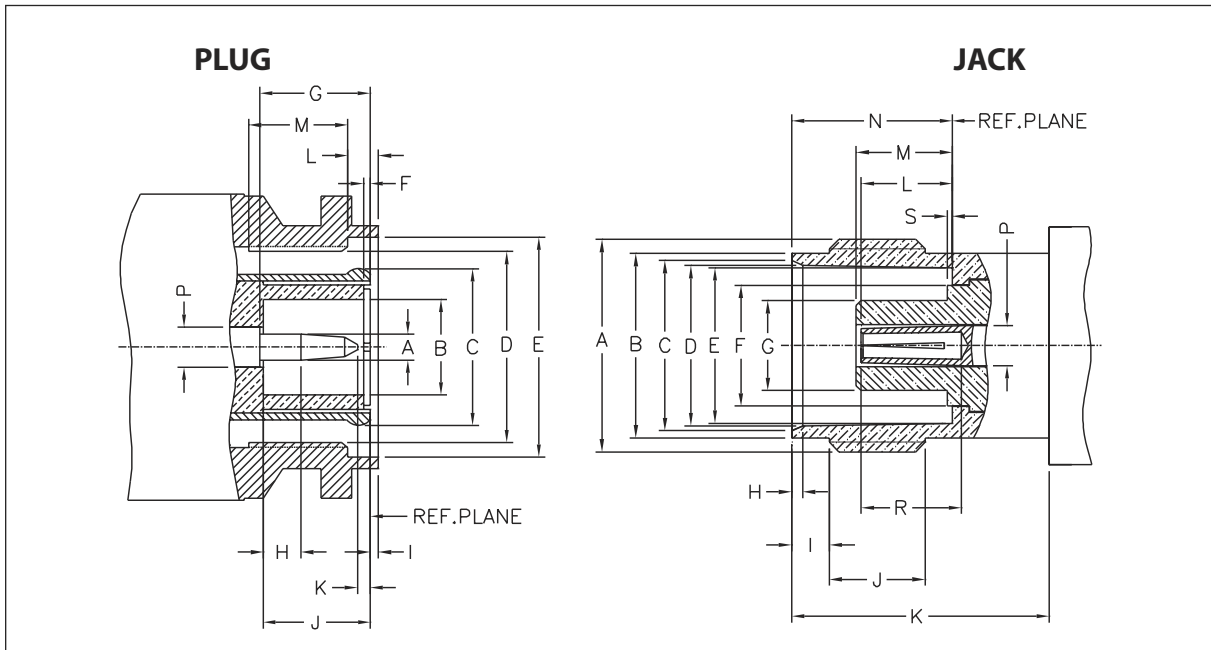
| | |
|---------------|---|
| Temp. Range | – 65° C to + 85° C JSS 50101 |
| Shock | JSS 50101 – Test No. 12 MIL Std – 202 Method 202 |
| Vibration | JSS 50101 – Test No. 23 MIL Std – 202 Method 204 (Test Cond. D) |
| Temp. Cycling | JSS 50101 – Test No. 20 MIL Std – 202 Method 102 (Test Cond. D) |

FINISH

| | |
|-----------------|-----------------|
| Body | Silver / Nickel |
| Centre Contacts | Gold |



INTERFACE DIMENSIONS – TNC SERIES



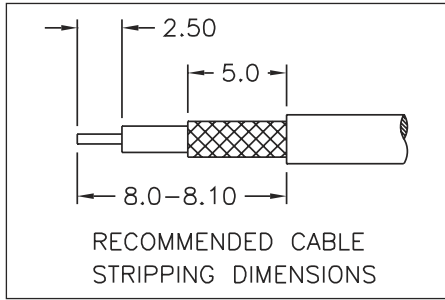
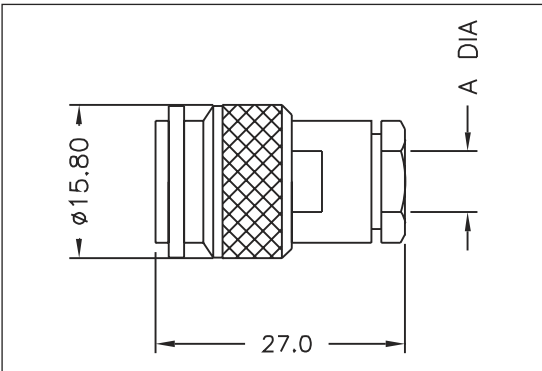
| LTR (dim. of) | PLUG | | JACK | |
|------------------|----------------------|------|----------------------|------|
| | MIN | MAX | MIN | MAX |
| A | 1.32 | 1.37 | 7/16" – 28 UNEF – 2A | |
| B | 4.83 | – | 9.60 | 9.68 |
| C | Note 1 | | 8.76 | 9.04 |
| D | 7/16" – 28 UNEF – 2B | | 8.31 | 8.46 |
| E | 11.18 | – | 8.10 | 8.15 |
| F | 0.08 | 1.02 | 6.71 | 6.75 |
| G | 5.33 | 5.84 | 4.68 | 4.72 |
| H | 1.98 | – | 0.51 | 1.01 |
| I | – | 1.98 | 1.73 | 2.23 |
| J | 5.28 | 5.79 | 4.75 | – |
| K | 0.15 | – | 10.67 | – |
| L | 1.60 | – | 4.72 | 5.23 |
| M | 3.96 | – | 4.78 | 5.28 |
| N | – | – | 8.36 | 8.46 |
| P | 2.06 | 2.21 | 2.06 | 2.21 |
| R | – | – | 4.95 | – |
| S | – | – | – | 0.15 |

NOTE 1 : TO MEET GAUGE TEST

ALL DIMENSIONS ARE IN MM

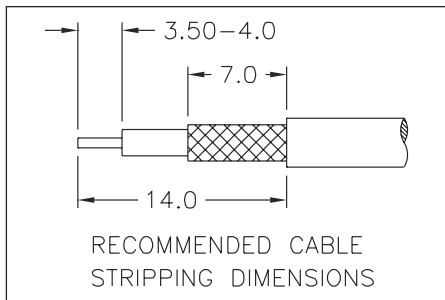
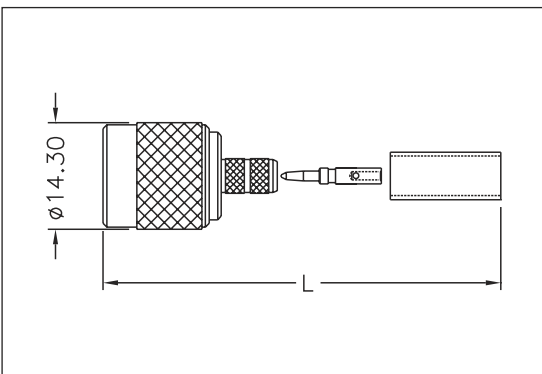


Straight Plug Clamp Type



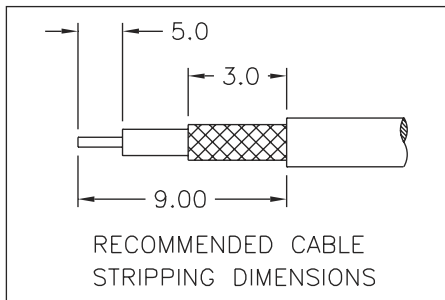
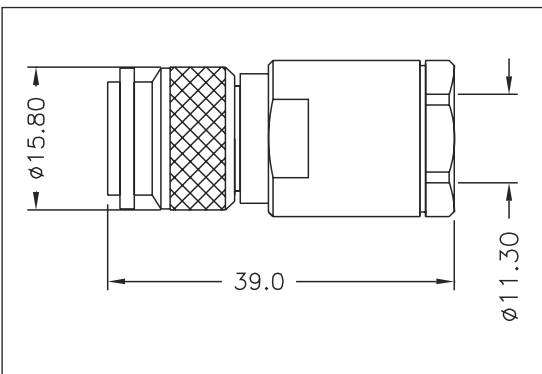
| Order Code | Impedance Ohms | Cable Group RG/U | Notes | A Dia |
|------------|----------------|---------------------------------|-----------------|-------|
| SC4 M 01 | 50 | 55, 58, 141, 142, 223, 303, 400 | Captive Contact | 5.6 |
| SC4 M 02 | 75 | 59, 302 | Captive Contact | 6.2 |
| SC4 M 07 | 50 | 174, 188, 316 | Captive Contact | 2.9 |
| SC4 M 17 | 75 | 179, 187 | Captive Contact | 2.9 |

Straight Plugs Crimp Type



| Order Code | Impedance Ohms | Cable Group RG/U | L Dimn |
|------------|----------------|---------------------------------|--------|
| SC4 M 03 | 50 | 55, 58, 141, 142, 223, 303, 400 | 30.3 |
| SC4 M 05 | 75 | 59, 302 | 28.8 |

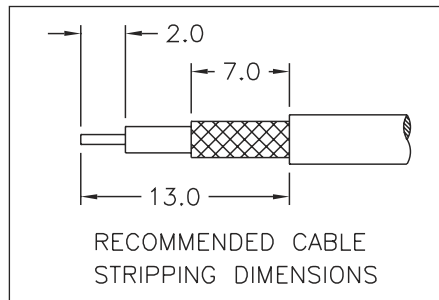
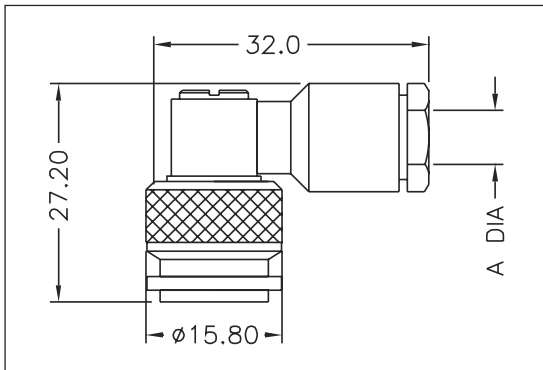
Straight Plug Clamp Type



| Order Code | Impedance Ohms | Cable Group |
|------------|----------------|--------------------------------|
| SC4 M 11 | 50 | LMR 400 |
| SC4 M 14 | 50 | RG/U - 213, 214, 215, 165, 225 |

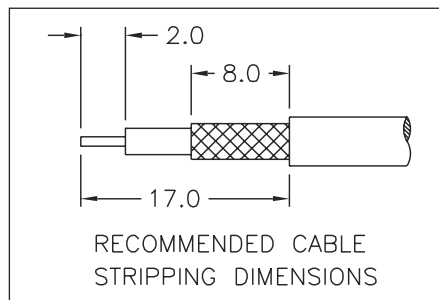
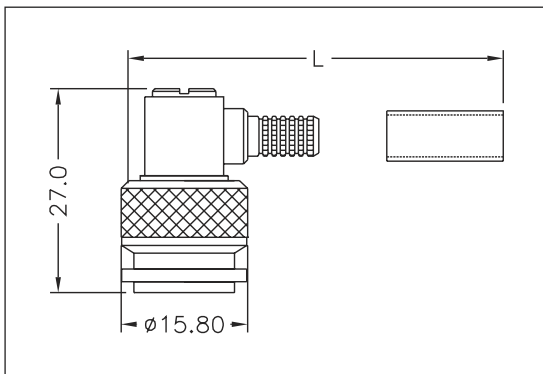


Right Angle Plug Clamp Type



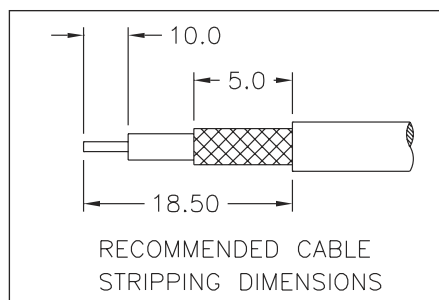
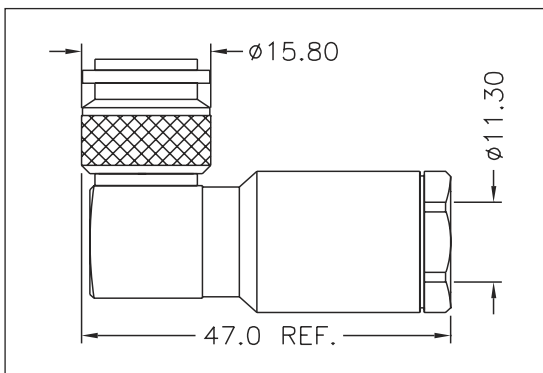
| Order Code | Impedance Ohms | Cable Group RG/U | Notes | A Dia |
|------------|----------------|---------------------------------|-----------------|-------|
| SC4 A 01 | 50 | 55, 58, 141, 142, 223, 303, 400 | Captive Contact | 5.6 |
| SC4 A 02 | 75 | 59, 302 | Captive Contact | 6.2 |
| SC4 A 07 | 50 | 174, 188, 316 | Captive Contact | 2.9 |
| SC4 A 17 | 75 | 179, 187 | Captive Contact | 2.9 |

Right Angle Plug Crimp Type



| Order Code | Impedance Ohms | Cable Group RG/U | L Dimm |
|------------|----------------|---------------------------------|--------|
| SC4 A 03 | 50 | 55, 58, 141, 142, 223, 303, 400 | 29.6 |
| SC4 A 05 | 75 | 59, 302 | 27.1 |
| SC4 A 09 | 50 | 174, 188, 316 | 25.6 |
| SC4 A 19 | 75 | 179, 187 | 25.6 |

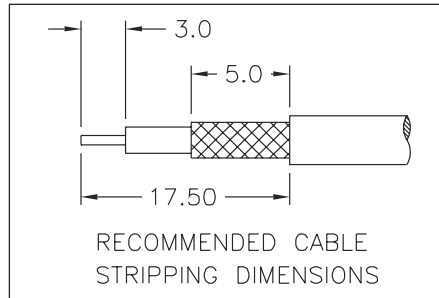
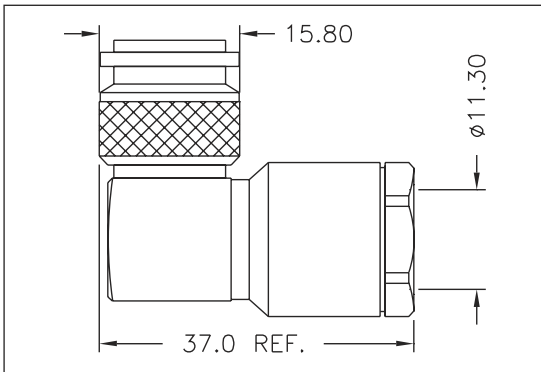
Right Angle Plug Clamp Type



| Order Code | Impedance Ohms | Cable Group |
|------------|----------------|-------------|
| SC4 A 13 P | 50 | LMR 400 |

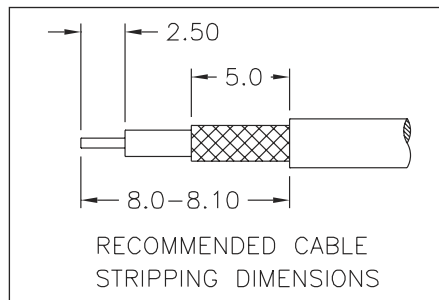
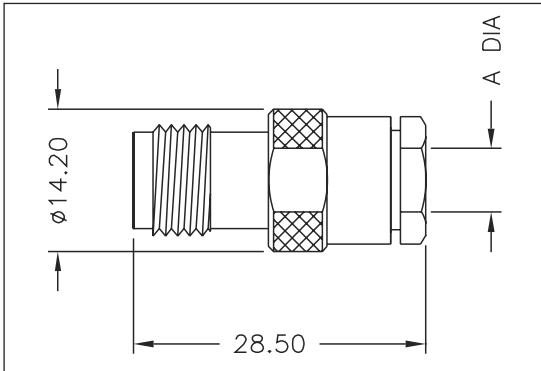


Right Angle Plug Clamp Type



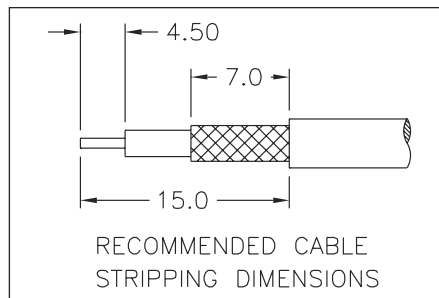
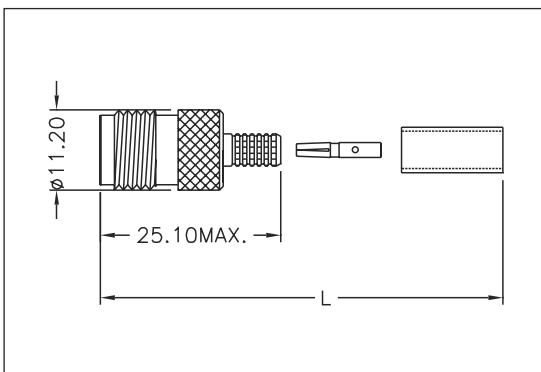
| Order Code | Impedance Ohms | Cable Group RG/U |
|------------|----------------|-------------------------|
| SC4 A 14 | 50 | 213, 214, 165, 215, 225 |

Straight Jack Clamp Type



| Order Code | Impedance Ohms | Cable Group RG/U | Notes | A Dia |
|------------|----------------|---------------------------------|-----------------|-------|
| SC4 SR 01 | 50 | 55, 58, 141, 142, 223, 303, 400 | Captive Contact | 5.6 |
| SC4 SR 02 | 75 | 59, 302 | Captive Contact | 6.2 |
| SC4 SR 12 | 93 | 62, 210, 71 | Captive Contact | 6.6 |
| SC4 SR 07 | 50 | 174, 188, 316 | Captive Contact | 2.9 |
| SC4 SR 17 | 75 | 179, 187 | Captive Contact | 2.9 |

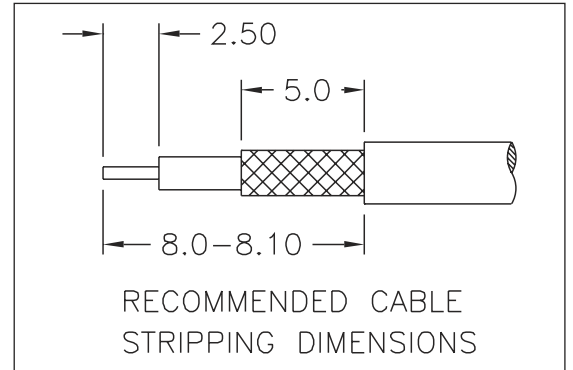
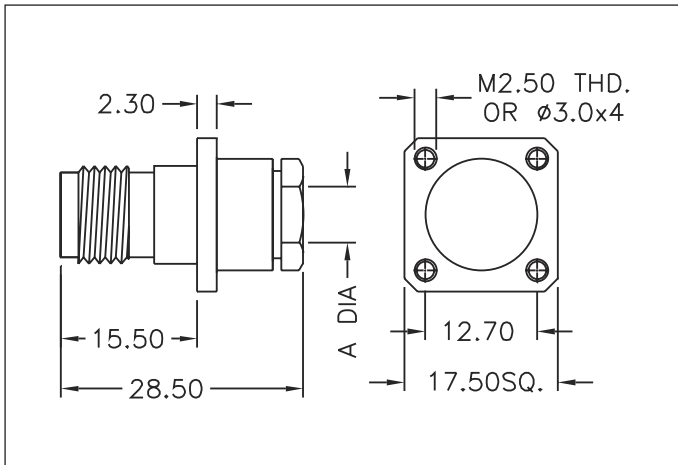
Straight Jack Crimp Type



| Order Code | Impedance Ohms | Cable Group RG/U | L Dimn |
|------------|----------------|---------------------------------|--------|
| SC4 SR 03 | 50 | 55, 58, 141, 142, 223, 303, 400 | 29.6 |
| SC4 SR 05 | 75 | 59, 302 | 27.1 |

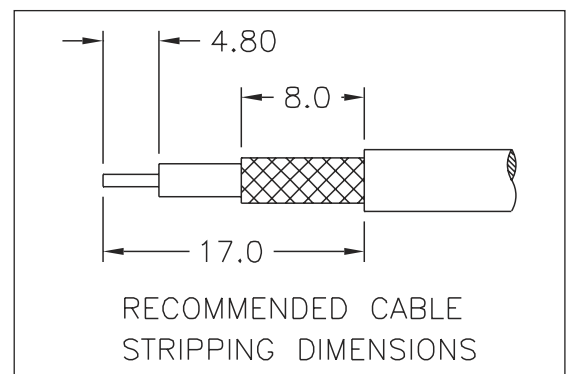
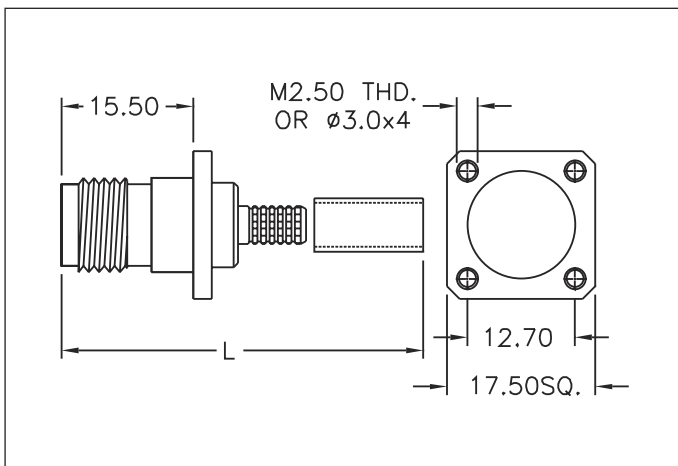


Panel Jack Clamp Type



| Order Code | Impedance Ohms | Cable Group RG/U | Notes | A Dia |
|------------|----------------|---------------------------------|-----------------|-------|
| SC4 PR 01 | 50 | 55, 58, 141, 142, 223, 303, 400 | Captive Contact | 5.6 |
| SC4 PR 02 | 75 | 59, 302 | Captive Contact | 6.2 |
| SC4 PR 12 | 93 | 62, 210, 71 | Captive Contact | 6.6 |
| SC4 PR 07 | 50 | 174, 188, 316 | Captive Contact | 2.9 |
| SC4 PR 17 | 75 | 179, 187 | Captive Contact | 2.9 |

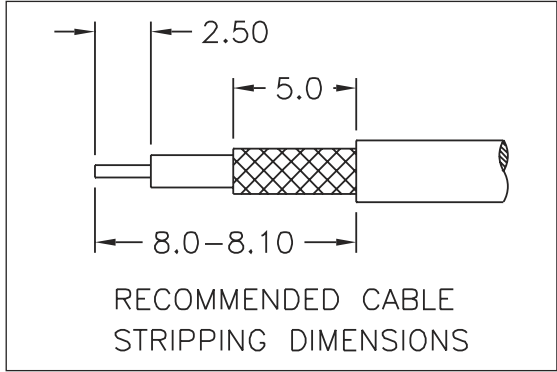
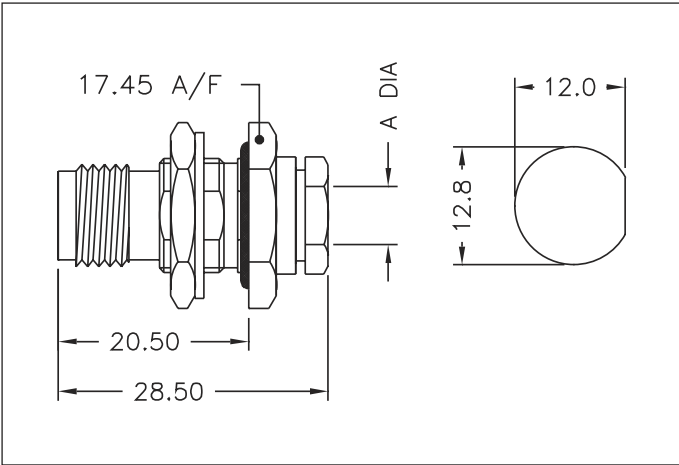
Panel Jack Crimp Type



| Order Code | Impedance Ohms | Cable Group RG/U | A Dia (Max) |
|------------|----------------|---------------------------------|-------------|
| SC4 PR 03 | 50 | 55, 58, 141, 142, 223, 303, 400 | 32.5 |
| SC4 PR 05 | 75 | 59, 302 | 31.0 |

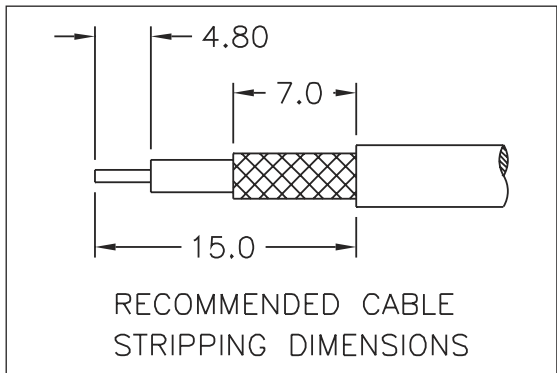
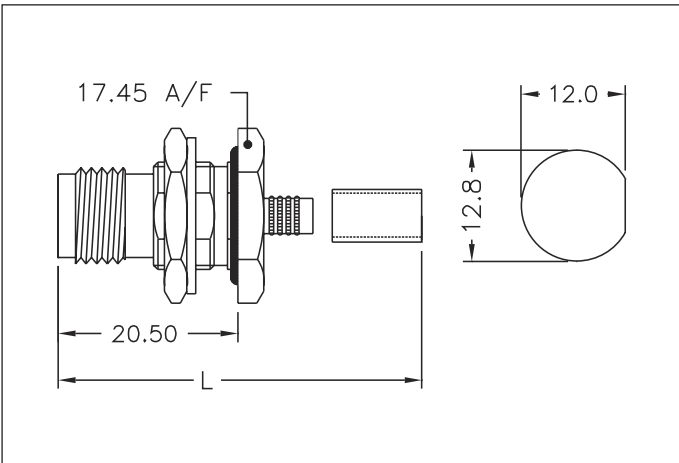


Bulk Head Jack Clamp Type



| Order Code | Impedance Ohms | Cable Group RG/U | Notes | A Dia |
|------------|----------------|---------------------------------|-----------------|-------|
| SC4 BR 01 | 50 | 55, 58, 141, 142, 223, 303, 400 | Captive Contact | 5.6 |
| SC4 BR 02 | 75 | 59, 302 | Captive Contact | 6.2 |
| SC4 BR 12 | 93 | 62, 210, 71 | Captive Contact | 6.6 |
| SC4 BR 07 | 50 | 174, 188, 316 | Captive Contact | 2.9 |
| SC4 BR 17 | 75 | 179, 187 | Captive Contact | 2.9 |

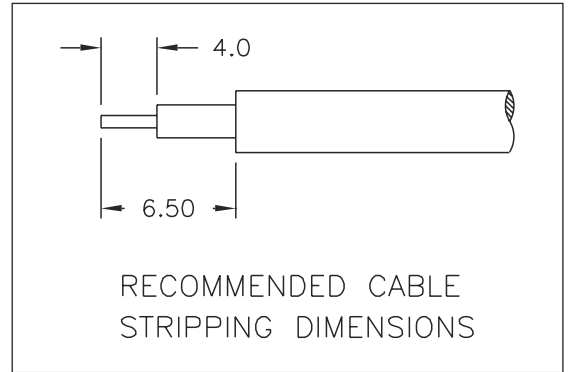
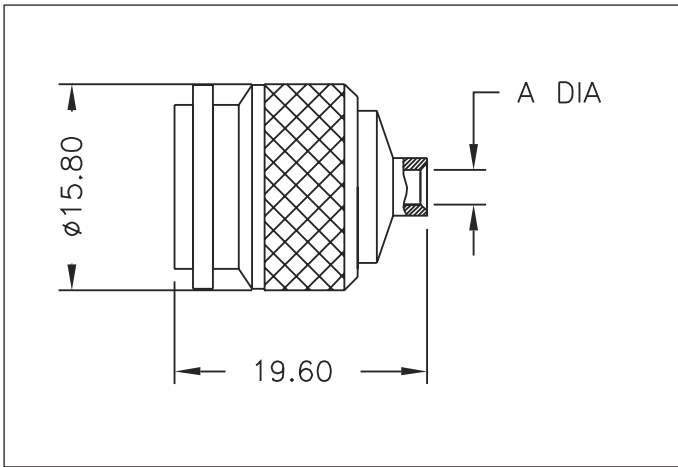
Bulk Head Jack Crimp Type



| Order Code | Impedance Ohms | Cable Group RG/U | L Dimn |
|------------|----------------|---------------------------------|--------|
| SC4 BR 03 | 50 | 55, 58, 141, 142, 223, 303, 400 | 32.5 |
| SC4 BR 05 | 75 | 59, 302 | 31.0 |
| SC4 BR 09 | 50 | 174, 188, 316 | 28.5 |
| SC4 BR 19 | 75 | 179, 187 | 28.5 |

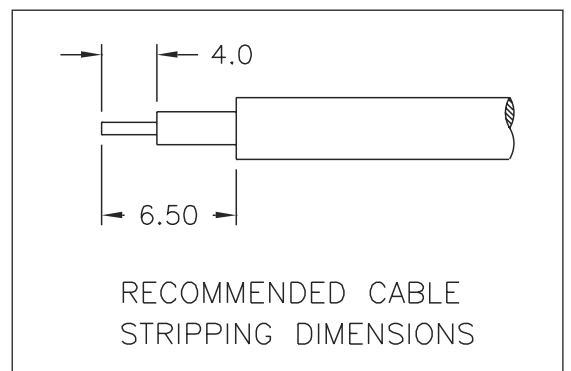
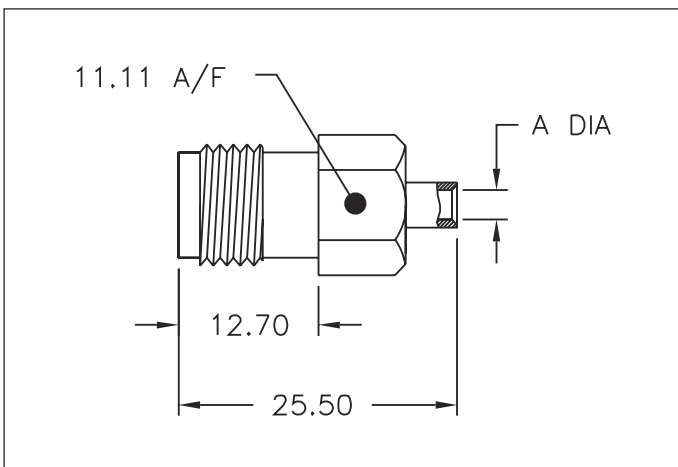


Straight Plug For Semi-Rigid Cable



| Order Code | Impedance Ohms | Cable Group RG/U | A Dia (Max) |
|------------|----------------|------------------|-------------|
| SC4 M 15 | 50 | 402 | 3.58 |
| SC4 M 16 | 50 | 405 | 2.20 |

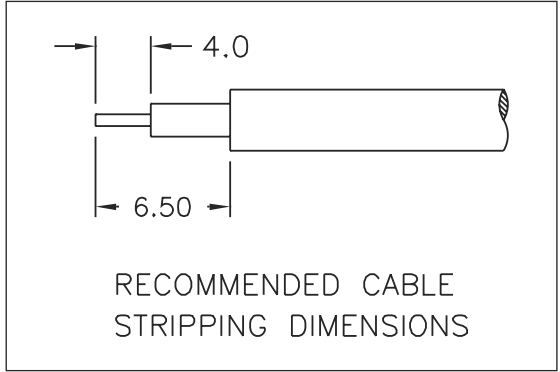
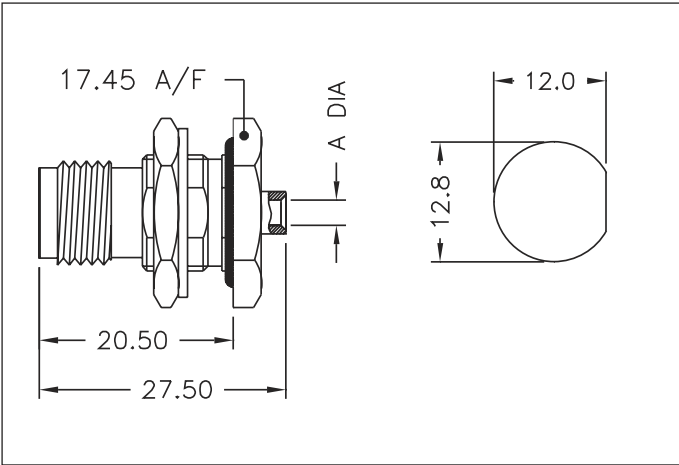
Straight Jack For Semi-Rigid Cable



| Order Code | Impedance Ohms | Cable Group RG/U | A Dia (Max) |
|------------|----------------|------------------|-------------|
| SC4 SR 15 | 50 | 402 | 3.58 |
| SC4 SR 16 | 50 | 405 | 2.20 |

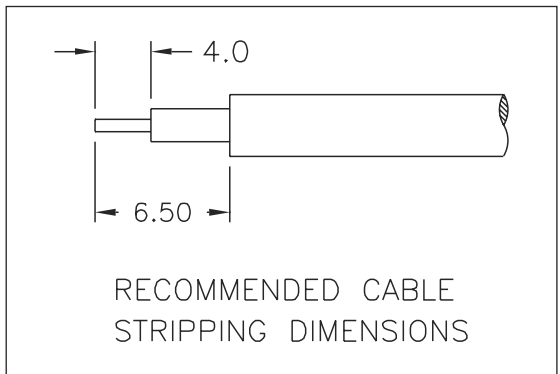
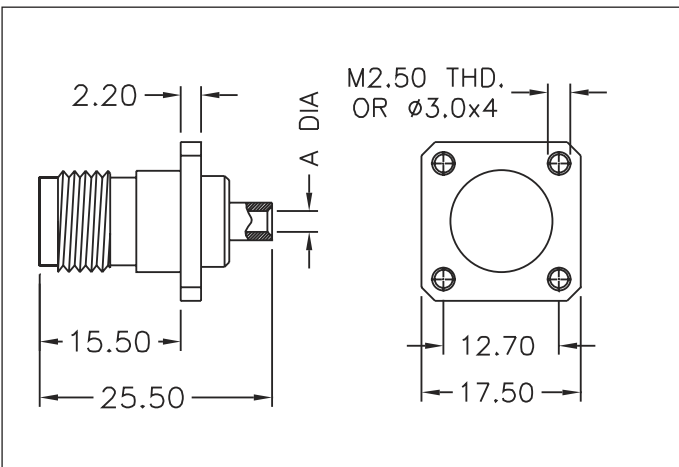


Bulk/Head Jack For Semi-Rigid Cable



| Order Code | Impedance Ohms | Cable Group RG/U | A Dia (Max) |
|------------|----------------|------------------|-------------|
| SC4 BR 15 | 50 | 402 | 3.58 |
| SC4 BR 16 | 50 | 405 | 2.20 |

Panel Jack For Semi-Rigid Cable

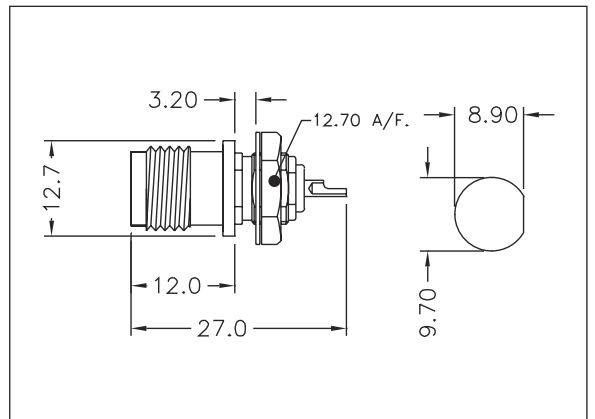


| Order Code | Impedance Ohms | Cable Group RG/U | A Dia (Max) |
|------------|----------------|------------------|-------------|
| SC4 PR 15 | 50 | 402 | 3.58 |
| SC4 PR 16 | 50 | 405 | 2.20 |



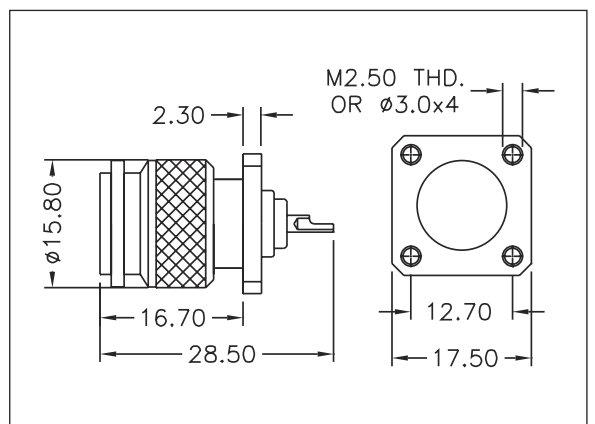
Bulk Head Receptacle, Female

| Order Code | Impedance Ohms |
|-------------|----------------|
| SC4 F 01 | 50 |
| SC4 F 02-75 | 75 |



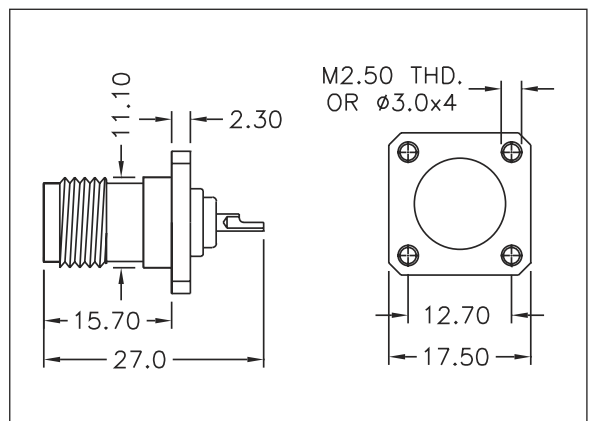
Square Flange Receptacle, Male

| Order Code | Impedance Ohms |
|------------|----------------|
| SC4 PM 01 | 50 |
| SC4 PM 02 | 75 |



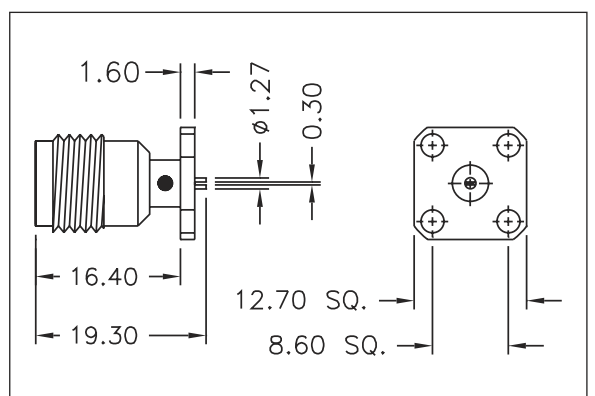
Square Flange Receptacle, Female

| Order Code | Impedance Ohms |
|-------------|----------------|
| SC4 F 02 | 50 |
| SC4 F 02 75 | 75 |



Receptacle – Slotted Contact

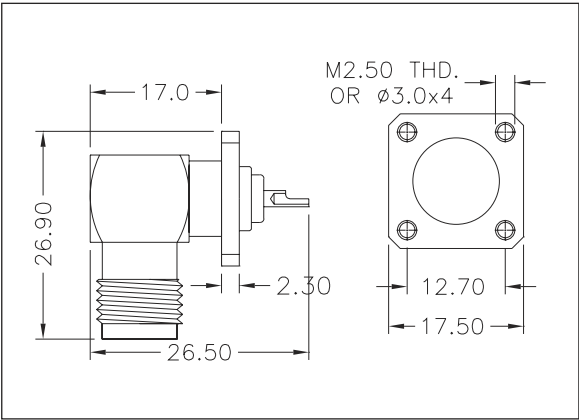
| Order Code | Impedance Ohms |
|------------|----------------|
| SC4 F 22 | 50 |





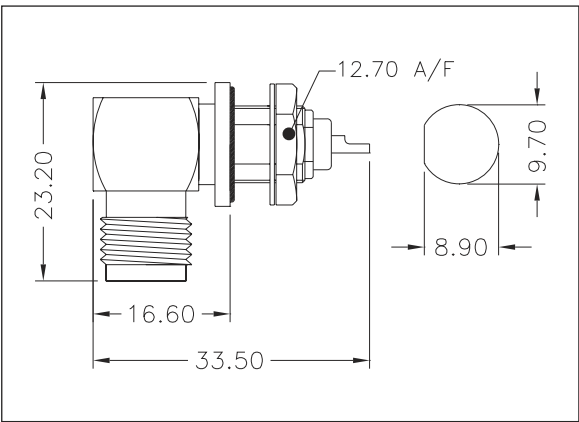
Right Angle Flange Receptacle

| Order Code | Impedance Ohms |
|------------|----------------|
| SC4 AP 01 | 50 |
| SC4 AP 02 | 75 |



Right Angle Bulk Head Receptacle

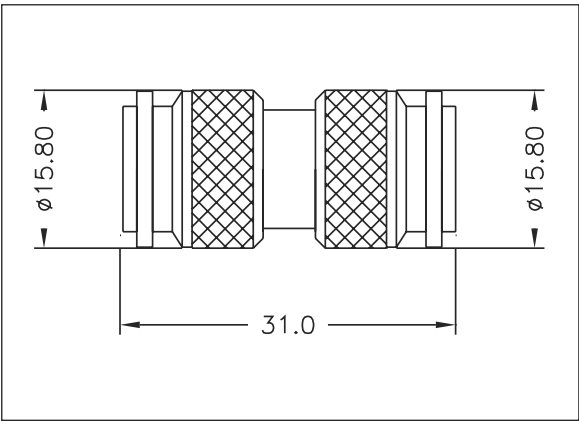
| Order Code | Impedance Ohms |
|------------|----------------|
| SC4 AB 01 | 50 |
| SC4 AB 02 | 75 |



IN SERIES ADAPTORS

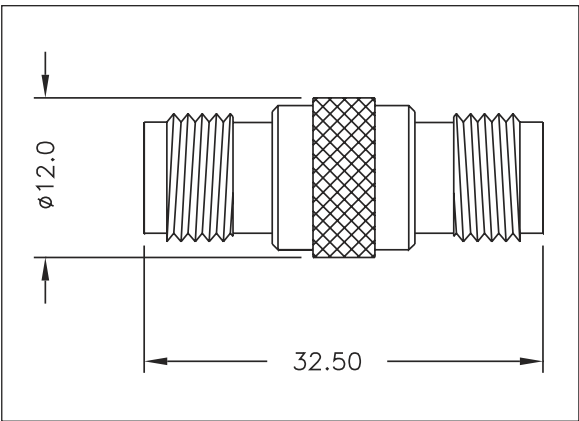
Plug – Plug

| Order Code | Impedance Ohms |
|------------|----------------|
| SC4 MM 01 | 50 |
| SC4 MM 02 | 75 |



Jack – Jack

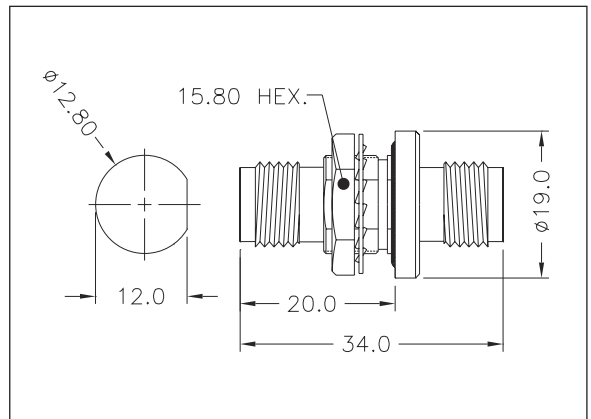
| Order Code | Impedance Ohms |
|------------|----------------|
| SC4 FF 01 | 50 |
| SC4 FF 02 | 75 |





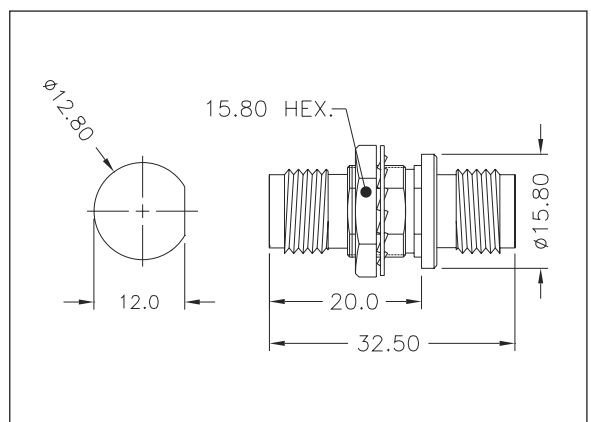
**Jack – Jack Bulk Head Mount
(with ‘O’ Ring)**

| Order Code | Impedance Ohms |
|-------------|----------------|
| SC4 FB 01 G | 50 |
| SC4 FB 02 G | 75 |



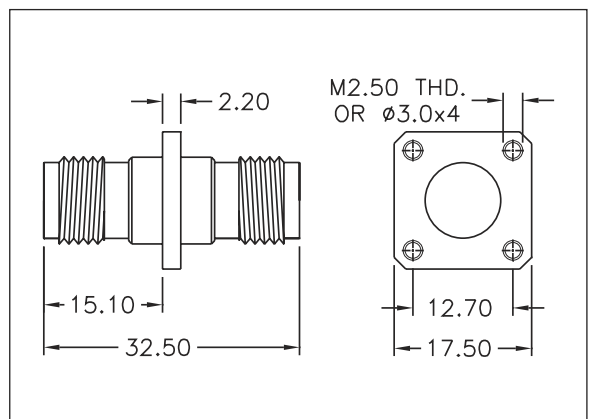
Jack – Jack Bulk Head Mount

| Order Code | Impedance Ohms |
|------------|----------------|
| SC4 FB 01 | 50 |
| SC4 FB 02 | 75 |



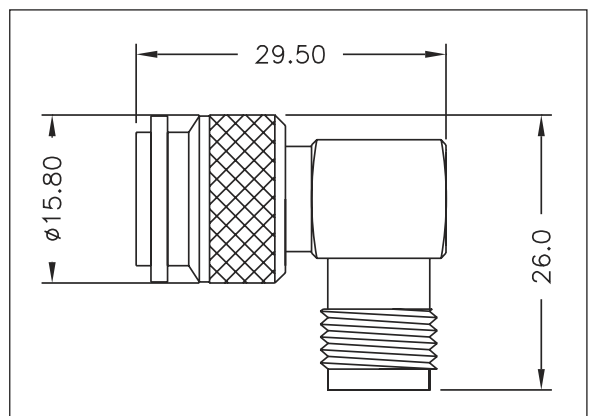
Jack – Jack Square Flange Mount

| Order Code | Impedance Ohms |
|------------|----------------|
| SC4 FP 01 | 50 |
| SC4 FP 02 | 75 |



Right Angle Plug – Jack

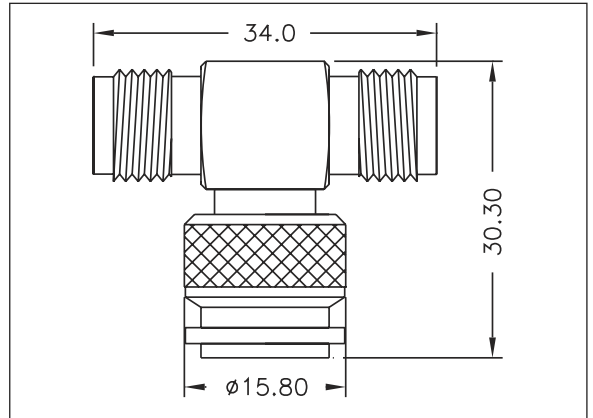
| Order Code | Impedance Ohms |
|-------------|----------------|
| SC4 MF A 01 | 50 |
| SC4 MF A 02 | 75 |





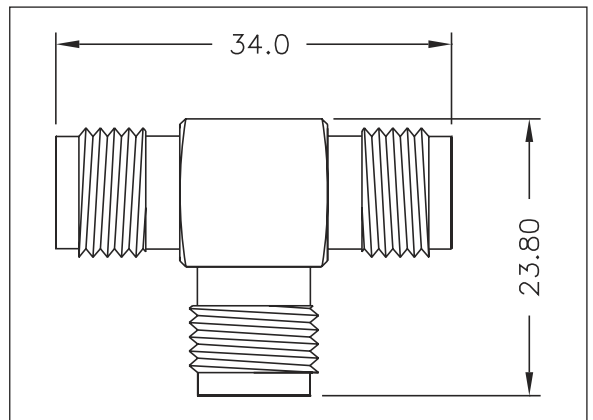
T – Adaptor Jack – Plug – Jack

| Order Code | Impedance Ohms |
|------------|----------------|
| SC4 T 01 | 50 |
| SC4 T 11 | 75 |



T – Adaptor Jack – Jack – Jack

| Order Code | Impedance Ohms |
|------------|----------------|
| SC4 T 02 | 50 |
| SC4 T 12 | 75 |





DIMENSIONS OF APPLICABLE R.F. CABLES

| Cable Group | Impedance Ω | Inner Conductor | | Dielectric | Max Screen | Jacket |
|-------------|-----------------------|-----------------|---------|------------|---------------|--------|
| | | Composition | Nom Dia | | | |
| RG 58 C/U | 50 | 19x0.18 | 0.90 | 2,95 | 3.81 S | 4.95 |
| RG 141/U | 50 | Single Core | 0.99 | 2.95 | 3.71 S | 4.83 |
| RG 142/B/U | 50 | Single Core | 0.94 | 2.95 | 3.71 S | 4.83 |
| RG 174 A/U | 50 | 7x0.16 | 0.48 | 1.52 | 2.24 S | 2.79 |
| RG 178 B/U | 50 | 7x0.004 | 0.30 | 0.84 | 1.37 S | 1.80 |
| RG 179 B/U | 75 | 7x0.10 | 0.30 | 1.60 | 2.13 S | 2.54 |
| RG 187 A/U | 75 | 7x0.10 | 0.30 | 1.60 | 2.13 S | 2.79 |
| RG 188 A/U | 50 | 7x0.17 | 0.52 | 1.52 | 2.06 S | 2.79 |
| RG 196 A/U | 50 | 7x0.004 | 0.30 | 0.86 | 1.37 S | 2.03 |
| RG 223/U | 50 | Single Core | 0.89 | 2.95 | 4.47 D | 5.38 |
| RG 303/U | 50 | Single Core | 0.94 | 2.95 | 3.71 S | 4.32 |
| RG 316/U | 50 | 7x0.007 | 0.51 | 1.52 | - | 2.20 |
| RG 400/U | 50 | 19x0.19 | 0.98 | 2.95 | 4.34 D | 4.95 |
| RG 402/U | 50 | Single Core | 0.92 | 2.08 | - | 3.58 |
| RG 405/U | 50 | Single Core | 0.51 | 1.68 | - | 2.20 |
| LMR 200 | 50 | Single Core | 1.11 | 2.95 | 3.65 | 4.9 |
| RG 213/U | 50 | 7x0.75 | 2.25 | 7.25 | 8.64 S | 10.29 |
| RG 214/U | 50 | 7x0.75 | 2.25 | 7.25 | 9.15 D | 10.80 |
| LMR 400 | 50 | Single Core | 2.76 | 7.24 | 8.12 | 10.28 |



| Order Code No. | Type | Description | JSS No. | Military No. M39012 | Page No. |
|----------------|------|------------------------------------|---------------|-------------------------------|----------|
| SC4M01 | TNC | Straight Plug – Clamp Type | J52401/20-01 | 26-0101 | 3 |
| SC4M02 | TNC | Straight Plug – Clamp Type | | | 3 |
| SC4M07 | TNC | Straight Plug – Clamp Type | | | 3 |
| SC4M17 | TNC | Straight Plug – Clamp Type | | | 3 |
| SC4M03 | TNC | Straight Plug – Crimp Type | RG58 RG223 | 26-0005 26-0016 26-0007 | 3 |
| SC4M05 | TNC | Straight Plug – Crimp Type | | | 3 |
| SC4M11 | TNC | Straight Plug – Clamp Type | | | 3 |
| SC4M14 | TNC | Straight Plug – Clamp Type | | | 3 |
| SC4A01 | TNC | Right Angle Plug – Clamp Type | J52401/22-02 | | 4 |
| SC4A02 | TNC | Right Angle Plug – Clamp Type | | | 4 |
| SC4A07 | TNC | Right Angle Plug – Clamp Type | | | 4 |
| SC4A17 | TNC | Right Angle Plug – Clamp Type | | | 4 |
| SC4A03 | TNC | Right Angle Plug – Crimp Type | | | 4 |
| SC4A05 | TNC | Right Angle Plug – Crimp Type | | | 4 |
| SC4A09 | TNC | Right Angle Plug – Crimp Type | | | 4 |
| SC4A19 | TNC | Right Angle Plug – Crimp Type | | | 4 |
| SC4A13P | TNC | Right Angle Plug – Clamp Type | | | 4 |
| SC4A14 | TNC | Right Angle Plug – Clamp Type | | | 5 |
| SC4SR01 | TNC | Straight Jack – Clamp Type | J52401/21-02 | | 5 |
| SC4SR02 | TNC | Straight Jack – Clamp Type | | | 5 |
| SC4SR12 | TNC | Straight Jack – Clamp Type | | | 5 |
| SC4SR07 | TNC | Straight Jack – Clamp Type | | | 5 |
| SC4SR17 | TNC | Straight Jack – Clamp Type | | | 5 |
| SC4SR03 | TNC | Straight Jack – Crimp Type | RG58 RG223 | 27-0005 27-0016 | 5 |
| SC4SR05 | TNC | Straight Jack – Crimp Type | | | 5 |
| SC4PR01 | TNC | Panel Jack – Clamp Type | | 29-0101 | 6 |
| SC4PR02 | TNC | Panel Jack – Clamp Type | | | 6 |
| SC4PR12 | TNC | Panel Jack – Clamp Type | | | 6 |
| SC4PR07 | TNC | Panel Jack – Clamp Type | | | 6 |
| SC4PR17 | TNC | Panel Jack – Clamp Type | | | 6 |
| SC4PR03 | TNC | Panel Jack – Crimp Type | RG58 RG223 | 29-0005 29-0016 | 6 |
| SC4PR05 | TNC | Panel Jack – Crimp Type | | | 6 |
| SC4BR01 | TNC | Bulk Head Jack – Clamp Type | J52401/23-02 | 28-0101 | 7 |
| SC4BR02 | TNC | Bulk Head Jack – Clamp Type | | | 7 |
| SC4BR12 | TNC | Bulk Head Jack – Clamp Type | | | 7 |
| SC4BR07 | TNC | Bulk Head Jack – Clamp Type | | | 7 |
| SC4BR17 | TNC | Bulk Head Jack – Clamp Type | | | 7 |
| SC4BR03 | TNC | Bulk Head Jack – Crimp Type | RG58 RG223 | 28-0005 28-0016 | 7 |
| SC4BR05 | TNC | Bulk Head Jack – Crimp Type | | | 7 |
| SC4BR09 | TNC | Bulk Head Jack – Crimp Type | | | 7 |
| SC4BR19 | TNC | Bulk Head Jack – Crimp Type | | | 7 |
| SC4M15 | TNC | Straight Plug for Semi-Rigid Cable | | | 8 |
| SC4M16 | TNC | Straight Plug for Semi-Rigid Cable | | | 8 |



| Order Code No. | Type | Description | JSS No. | Military No. M39012 | Page No. |
|----------------|------|---------------------------------------|--------------|---------------------|----------|
| SC4SR15 | TNC | Straight Jack for Semi-Rigid Cable | | | 8 |
| SC4SR16 | TNC | Straight Plug for Semi-Rigid Cable | | | 8 |
| SC4BR15 | TNC | Bulk / Head Jack for Semi-Rigid Cable | | | 9 |
| SC4BR16 | TNC | Bulk / Head Jack for Semi-Rigid Cable | | | 9 |
| SC4PR15 | TNC | Panel Jack for Semi-Rigid Cable | | | 9 |
| SC4PR16 | TNC | Panel Jack for Semi-Rigid Cable | | | 9 |
| SC4F01 | TNC | Bulk Head Receptacle, Female | J52401/24-01 | | 10 |
| SC4F02-75 | TNC | Bulk Head Receptacle, Female | | | 10 |
| SC4PM01 | TNC | Square Flange Receptacle, Male | | | 10 |
| SC4PM02 | TNC | Square Flange Receptacle, Male | | | 10 |
| SC4F02 | TNC | Square Flange Receptacle, Female | J52401/25-02 | 32-0001 | 10 |
| SC4F02-75 | TNC | Square Flange Receptacle, Female | | | 10 |
| SC4F22 | TNC | Receptacle – Slotted Contact | | | 10 |
| SC4AP01 | TNC | Right Angle Flange Receptacle | | | 11 |
| SC4AP02 | TNC | Right Angle Flange Receptacle | | | 11 |
| SC4AB01 | TNC | Right Angle Bulk Head Receptacle | | 33-0001 | 11 |
| SC4AB02 | TNC | Right Angle Bulk Head Receptacle | | | 11 |
| SC4MM01 | TNC | Plug – Plug | J52408/05-0 | M55339/ 36-00001 | 11 |
| SC4MM02 | TNC | Plug – Plug | J52408/06-01 | M55339/ 33-00001 | 11 |
| SC4FF01 | TNC | Jack – Jack | | | 11 |
| SC4FF02 | TNC | Jack – Jack | | | 11 |
| SC4FB01G | TNC | Jack – Jack – Bulk Head Mount | | | 12 |
| SC4FB02G | TNC | Jack – Jack – Bulk Head Mount | | | 12 |
| SC4FB01 | TNC | Jack – Jack – Bulk Head Mount | | | 12 |
| SC4FB02 | TNC | Jack – Jack – Bulk Head Mount | | | 12 |
| SC4FP01 | TNC | Jack – Jack – Square Flange Mount | | | 12 |
| SC4FP02 | TNC | Jack – Jack – Square Flange Mount | | | 12 |
| SC4MFA01 | TNC | Right Angle – Plug – Jack | J52408/07-01 | M5539/ 32-00001 | 12 |
| SC4MFA02 | TNC | Right Angle – Plug – Jack | | | 12 |
| SC4T01 | TNC | T-Adaptor – Jack – Plug – Jack | J52408/08-01 | M55339/ 35-00001 | 13 |
| SC4T11 | TNC | T-Adaptor – Jack – Plug – Jack | | | 13 |
| SC4T02 | TNC | T-Adaptor – Jack – Jack – Jack | | | 13 |
| SC4T12 | TNC | T-Adaptor – Jack – Jack – Jack | | | 13 |



Part of the machine shop



Part of the plating shop



Part of the assembly



Part of the final inspection



SRINAR COMMUNICATIONS PVT. LTD.

138, ELCOT Avenue | Sholinganallur | Chennai 600 119 | INDIA
Tel : +91 44 2450 1134 | Fax : +91 44 2450 1135 | E-mail : mkt@sricomworld.com | Website : www.sricomworld.com